

2"

CLASSIC PERFORMANCE



NEW COLOR

PLASTIC MODELS:

- NC-20 (Polypropylene/Geolast*) 54 lbs. (23,6 kg.)
- BK-20 (Polypropylene/PTFE) 54 lbs. (23,6 kg.)
- BK-20E (Polypropylene/Santoprene*) 54 lbs. (23,6 kg.)
- KN-20 (PVDF/PTFE) 68 lbs. (30 kg.)
- KN-20E (PVDF/Santoprene*) 68 lbs. (30 kg.)

METALLIC MODELS:

- AL-20 (Aluminum/Geolast*) 61 lbs. (27,7 kg.)
- AL-20E (Aluminum/Santoprene*) 61 lbs. (27,7 kg.)
- AL-20T (Aluminum/PTFE) 61 lbs. (27,7 kg.)
- ST-20 (316 Stainless Steel/PTFE) 131 lbs. (59 kg.)
- ST-20B (316 Stainless/Geolast*) 131 lbs. (59 kg.)
- ST-20E (316 Stainless/Santoprene*) 131 lbs. (59 kg.)

See page 4 for fastener and valve seat material.

SPECIFICATIONS:

Capacity:
Adjustable 0 to 150 GPM (569 liters/min.)

Maximum Temperature:
KN-20 Model 200°F (93°C)
Other Plastic Models 150°F (66°C)
Metallic Models 200°F (93°C)

Maximum Air Pressure:
All Models 100 PSI (6,8 bar)

Minimum Air Pressure:
All Models 20 PSI (1,3 bar)

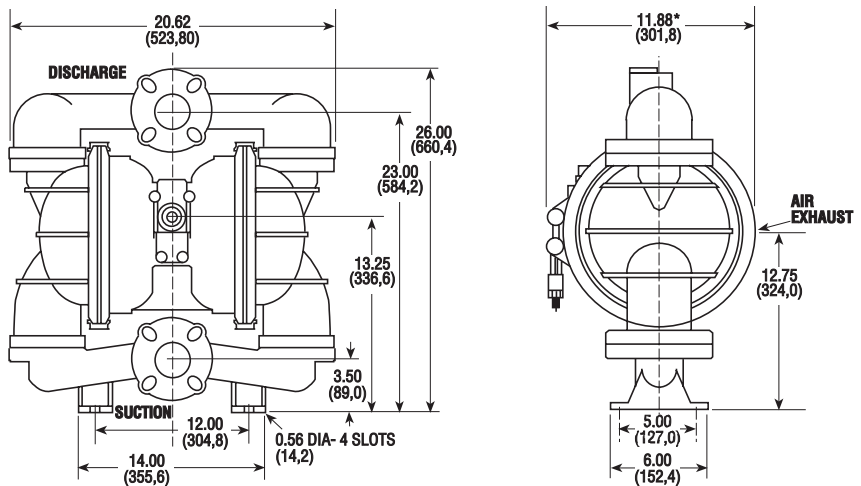
Dry Lift Capacity @ 100 PSI (6,8 bar):
Models w/PTFE balls 10 ft. (3 meters)
Other Models 15 ft. (4,5 meters)

Maximum Solids: 1/4" (6,4 mm)

Air Supply:
Inlet 3/4" NPT Female
• Air flow control valve supplied, 3/4" NPT or 3/4" BSP Female
Outlet 3/4" NPT Female
• Muffler supplied

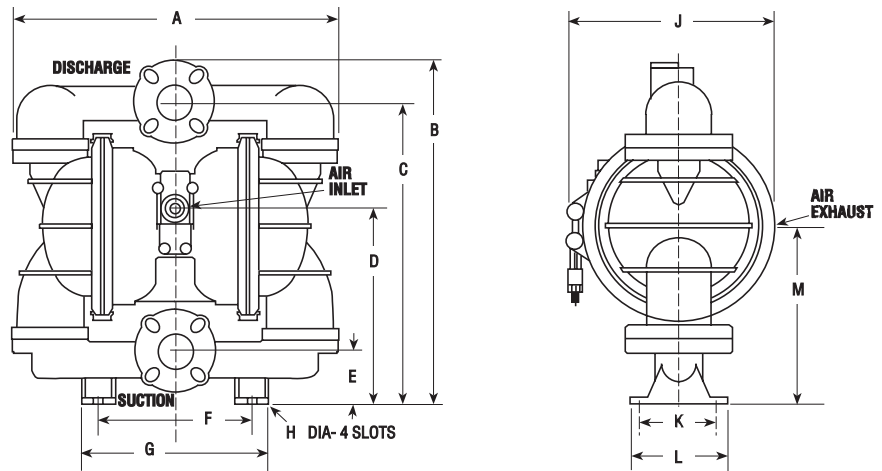
Fluid Inlet/Discharge: 2" (51mm) Flange
• For optional 2" (51mm) NPT Female (aluminum only) add -P28 to Model No. For optional BSP threads (aluminum only) on -P28 models, add -P15 to Model No.
• Flanges are ANSI and DIN compatible
• Flange mounting requires (4) bolts: 5/8" x 4-1/2"
• Threaded companion flanges available

PLASTIC Dimensions in inches and (mm). Ports shown facing front for dimensional purposes.



*Approximate Dimension with Muffler—14.88 (378,0)

METALLIC flange or threaded



MODEL	DIMENSIONS Inches / (mm)											
SIZE (Inlet/Outlet)	A	B	C	D	E	F	G	H	J	K	L	M
All Flanged 2" Flange 2" Flange	19.50 (495,0)	24.62 (625,3)	21.62 (549,2)	13.25 (336,6)	3.50 (89,0)	12.00 (304,8)	13.85 (351,5)	0.56 (14,2)	11.88 (301,8)	5.00 (127,0)	6.00 (152,4)	12.75 (324,0)
AL-20-P28 Threaded 2" NPT 2" NPT	19.50 (495,0)	26.10 (663,0)	24.75 (629,0)	13.25 (336,6)	1.88 (47,6)	10.06 (255,5)	12.00 (304,8)	0.56 (14,2)	11.88 (301,8)	5.00 (127,0)	6.00 (152,4)	12.75 (324,0)

PERFORMANCE CURVE

