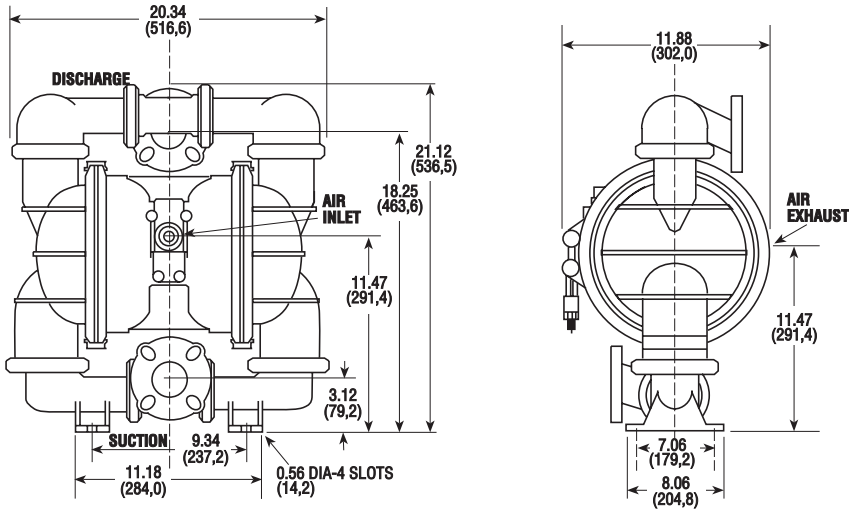


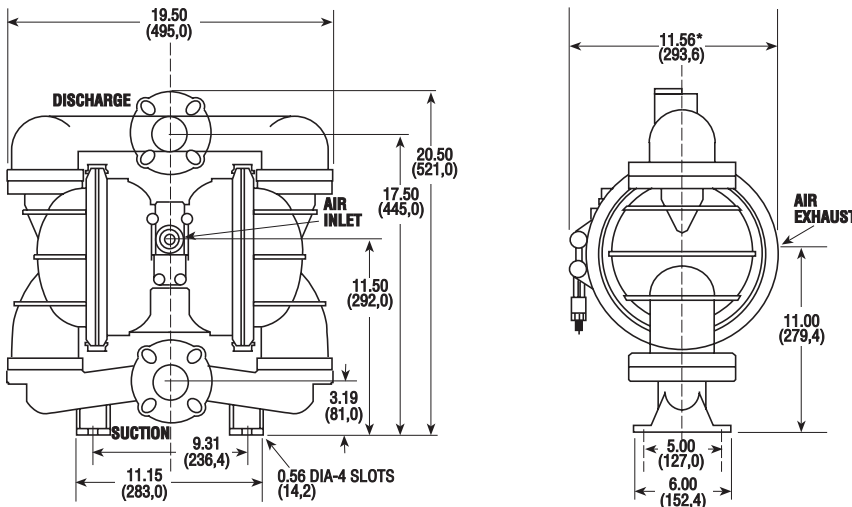
CLASSIC PERFORMANCE

1 1/2"

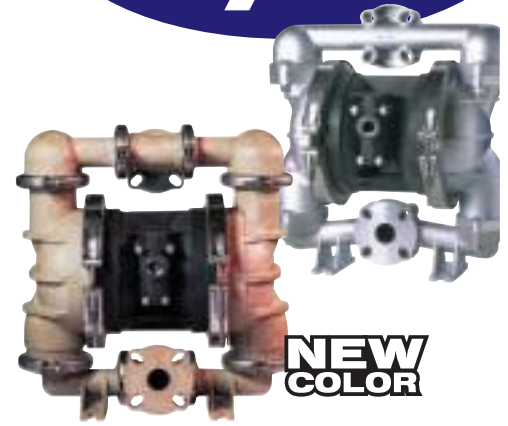
PLASTIC *Dimensions in inches and (mm). Ports shown facing front for dimensional purposes.*



METALLIC



*Approximate Dimension with Muffler—14.88 (378.0)



PLASTIC MODELS:

- NC-15 (Polypropylene/Geolast*) 52 lbs. (23,6 kg.)
- BK-15 (Polypropylene/PTFE) 52 lbs. (23,6 kg.)
- BK-15E (Polypropylene/Santoprene*) 52 lbs. (23,6 kg.)
- KN-15 (PVDF/PTFE) 66 lbs. (30 kg.)
- KN-15E (PVDF/Santoprene*) 66 lbs. (30 kg.)

METALLIC MODELS:

- AL-15 (Aluminum/Geolast*) 61 lbs. (27,7 kg.)
- AL-15E (Aluminum/Santoprene*) 61 lbs. (27,7 kg.)
- AL-15T (Aluminum/PTFE) 61 lbs. (27,7 kg.)
- ST-15 (316 Stainless Steel/PTFE) 113 lbs. (51 kg.)
- ST-15E (316 Stainless/Santoprene*) 113 lbs. (51 kg.)
- ST-15B (316 Stainless/Geolast*) 113 lbs. (51 kg.)

See page 4 for fastener and valve seat material.

SPECIFICATIONS:

- Capacity: Adjustable 0 to 95 GPM (360 liters/min.)
- Maximum Temperature:
 - KN-15 Model 200°F (93°C)
 - Other Plastic Models 150°F (66°C)
 - Metallic Models 200°F (93°C)
- Maximum Air Pressure: All Models 100 PSI (6,8 bar)
- Minimum Air Pressure: All Models 20 PSI (1,3 bar)
- Dry Lift Capacity @ 100 PSI (6,8 bar):
 - Models w/PTFE balls 10 ft. (3 meters)
 - Other Models 15 ft. (4,5 meters)
- Maximum Solids: 1/4" (6,4 mm)
- Air Supply:
 - Inlet 3/4" NPT Female
 - Air flow control valve supplied, 3/4" NPT or BSP Female
 - Outlet 3/4" NPT Female
 - Muffler supplied
- Fluid Inlet/Discharge: . . 1-1/2" Flange (38,1 mm)
 - Flanges are ANSI and DIN compatible
 - Flange mounting requires (4) bolts: 1/2" x 4"
 - Threaded companion flanges available

PERFORMANCE CURVE

